



## TANKLESS CS-15A

COMPACT-ELONGATED, LOW PROFILE TOILET

### CERAMIC FINISHES:

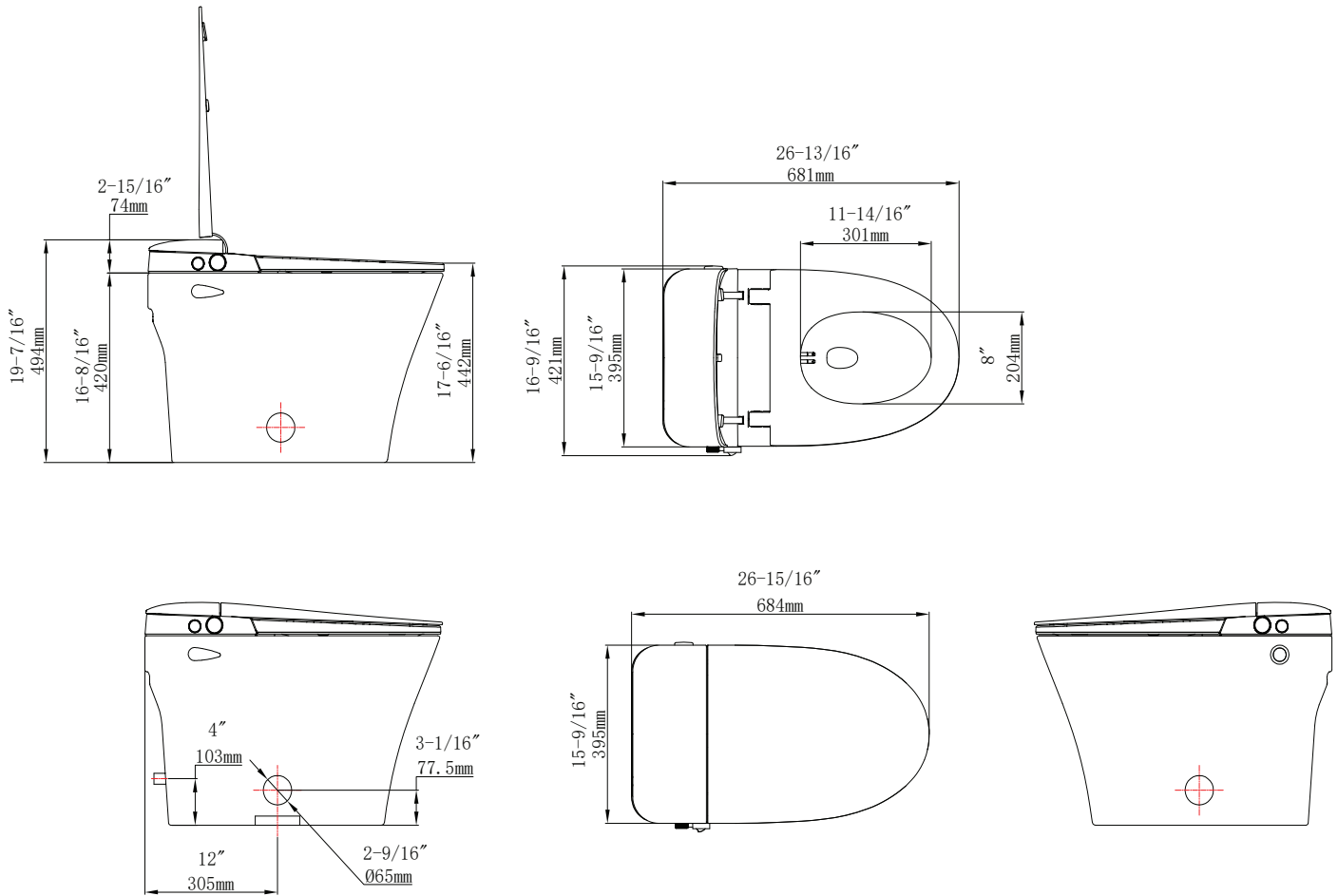


**White .01**

### PRODUCT FEATURES

- Sleek toilet with skirted trapway and concealed tank
- Compact-elongated bowl, less than 27" front-to-back
- Rimless bowl design
- EPA Watersense compliant ultra high-efficiency 1.0gpf
- High performance, quiet flushing system functions without electricity and uses a standard inlet water connection
- Flush button actuator on both sides
- ADA-compliant seat height bowl rim
- Includes Silent Close seat with easy lift-off feature
- 12" rough-in
- Limited lifetime warranty on ceramic

TECHNICAL SPECIFICATIONS	
ITEM	DESCRIPTION
Flushing Performance	1.0 GPF (3.8 LPF)
Application Water Pressure (Static Pressure)	15PSI-125PSI (0.1MPa - 0.86MPa)



**IMPORTANT:** Dimensions are nominal and may vary within the range of tolerance per NSI Standard A112.19.2. These measurements are subject to change. No responsibility is assumed for use of superseded or voided pages.

**Codes/Standards:**

- Meets or exceeds ASME A112.19.2/CSA B45.1-18 (R2023)
- Certifications: IAPMO(cUPC), EPA WaterSense, State of Mass, CEC
- Code compliance: cUPC, IPC, NPC Canada and others, ADA compliant