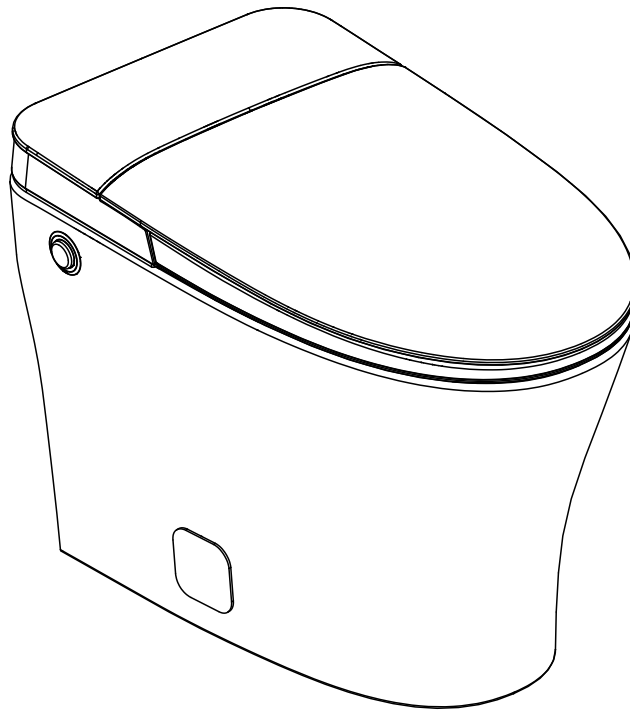


iWash Bidet Toilet

User Manual

Model: CS-15-A



Installation & User Guide

Read all operating instructions before installation and use.

Please save this instruction manual and place in an easily accessible location.

**External appearance and specifications are subject to change
for improvement of product without notice.**

Contents

Before use

SAFETY	1
INTRODUCTION	3

Installation guide

PRE-INSTALLATION CONFIRMATION	4
INSTALLATION	5
TEST	7

Operation

OPERATION INSTRUCTION	8
CLEAN & MAINTENANCE	9
TROUBLESHOOTING	10
TECHNICAL SPECIFICATION	10





SAFETY

Before using the product, please read the following safety instructions carefully. Pay attention to the following safety warnings.

We will not be responsible for any loss due to violation of either requirement below.

- **The product should be installed by a licensed plumber, who is familiar with these instructions.**
- **Before installing the product, please read the safety instructions right below and those in other parts of this manual. Please install the product as instructed in this manual. We will not be responsible for any adverse consequences due to changes / deviations from these instructions.**

SYMBOLS DESCRIPTION

Symbol	Description	Symbol	Description
	Inspect visually		Caution! A low risk possibly causing a light injury.
	Inspect tightness		Kind reminder

CAUTION!

Please avoid faults or damage to the product due to misoperation.

- Do not use industrial water, circulating water, seawater, or wastewater as the water source of the product. Please use a water source meeting the hygiene requirements for domestic drinking water.
- When installing the product, please abide by all the local regulations on water supply and drainage, and buildings to avoid safety hazards.
- When using the product, make sure the water supply pressure and the water supply flow are 0.1MPa to 0.86MPa (15PSI to 125PSI) and equal to or more than 9L / min (2.4gal/min), respectively, to ensure thorough flushing.
- Make sure that the water temperature is 4°C to 35°C (39.2°F to 95°F) and that the bathroom temperature is above 4°C (39.2°F).
- Do not bend, squeeze, or wind the water supply pipe excessively.
- Do not use benzene, paint thinner, cleaning powder, or nylon brush but a thinned neutral detergent to clean the product.
- Do not use an old hose repeatedly. Please use the new hose provided with the product.
- Do not strike the ceramic violently.
- Do not put the product upside down.
- Before installation, water-proof treatment should be done for the bathroom's floor and walls.
- To avoid product surface scratches, please remove the electrostatic film on the product after its installation.

SAFETY

CAUTION!

Please avoid faults or damage to the product due to misoperation.

- The product is made of ceramic. Handle it gently in installation. Do not fix the ceramic with cement or epoxy, otherwise, the product will tend to get damaged. Do not lock the nuts too tightly, otherwise the product may get damaged or crack.
- After installation, do a water supply test first.
- Leaning on the top cover when using the product may damage it.
- When moving or installing the product, hold the bottom of the ceramic bowl. If only its top cover and seat are held, they may separate from the bowl and cause damage or injuries.
- Keep the product from direct sunlight to avoid discoloration.
- Do not put anything other than toilet paper in the bowl, , such as newspaper, paper diaper, or sanitary pads, which may clog the unit.

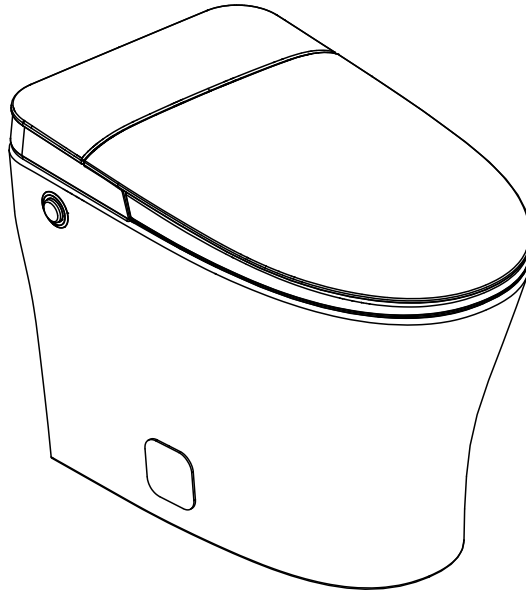
KIND REMINDER!

- This unit has been water tested at the factory. Therefore, it is normal that a few water drops flow out of it when it is being taken out of the packing box.

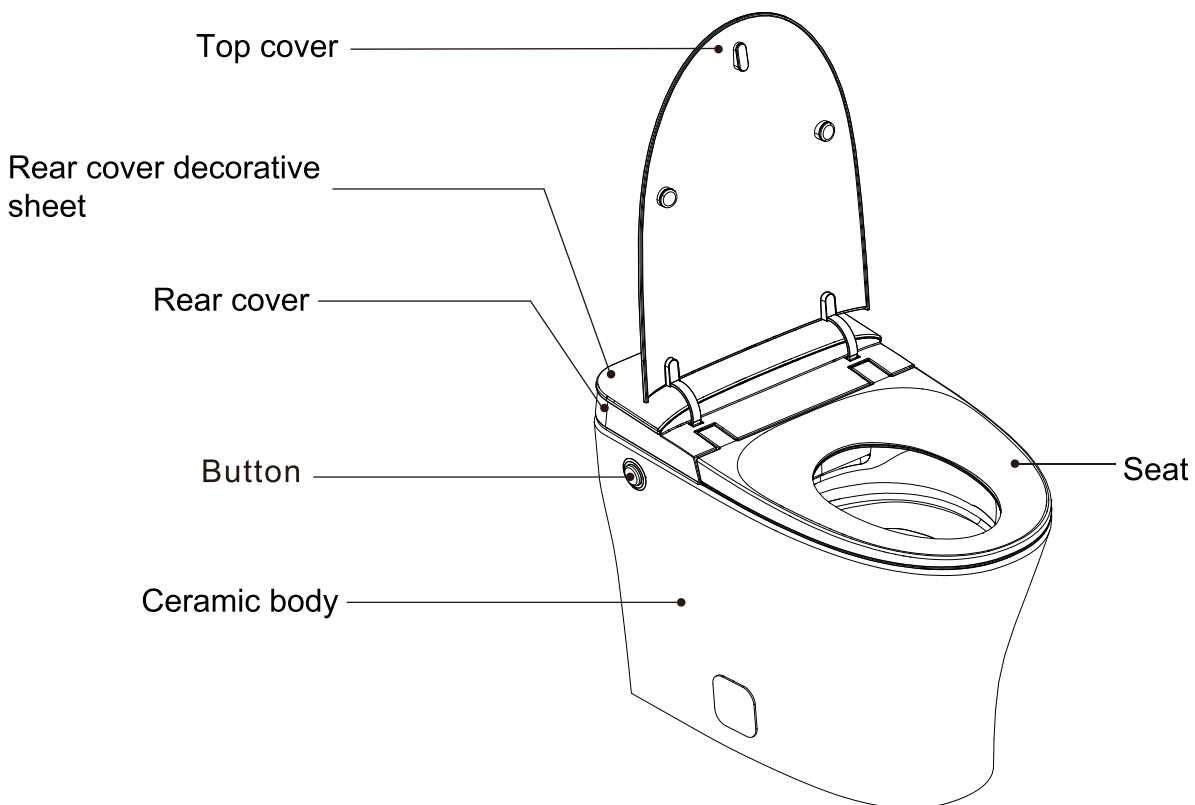
INTRODUCTION

OVERVIEW

This manual uses model CS-15-A for illustration. The products of different models have different appearances and installation methods.

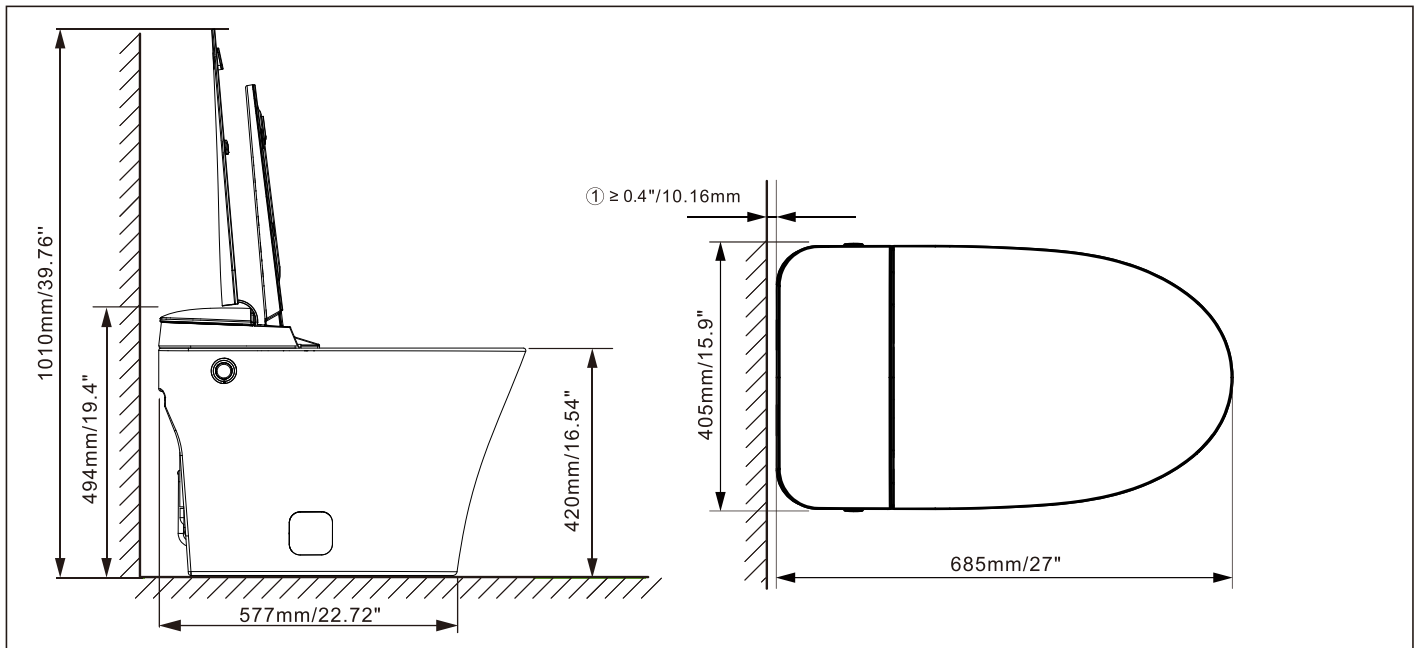


MAIN

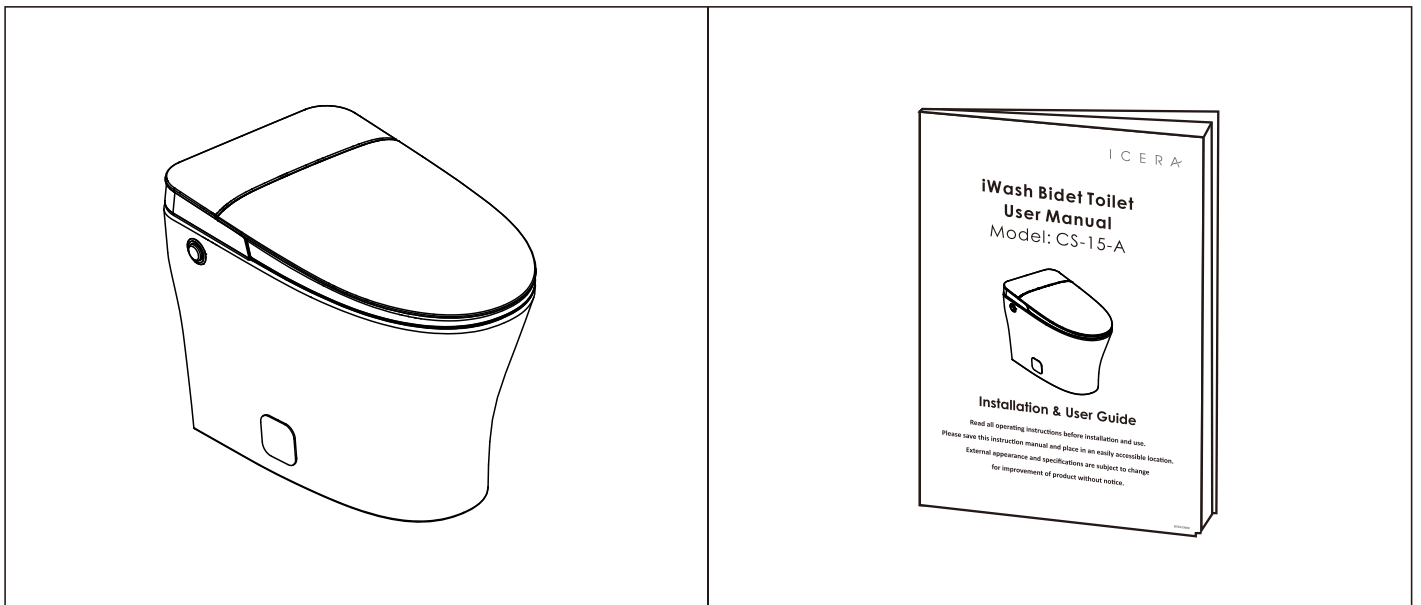


PRE-INSTALLATION CONFIRMATION

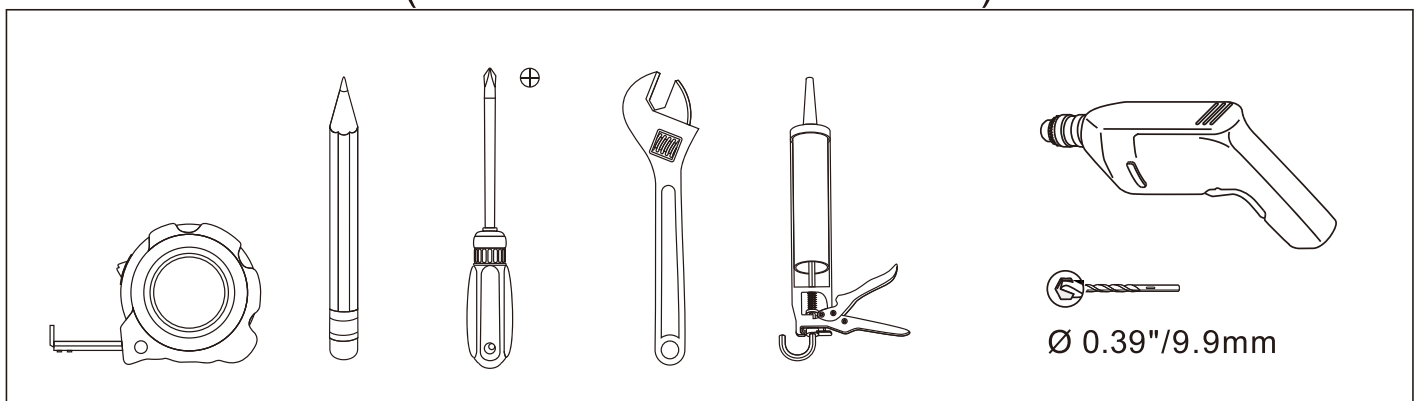
DIMENSION



STANDARD DELIVERY CONTENTS



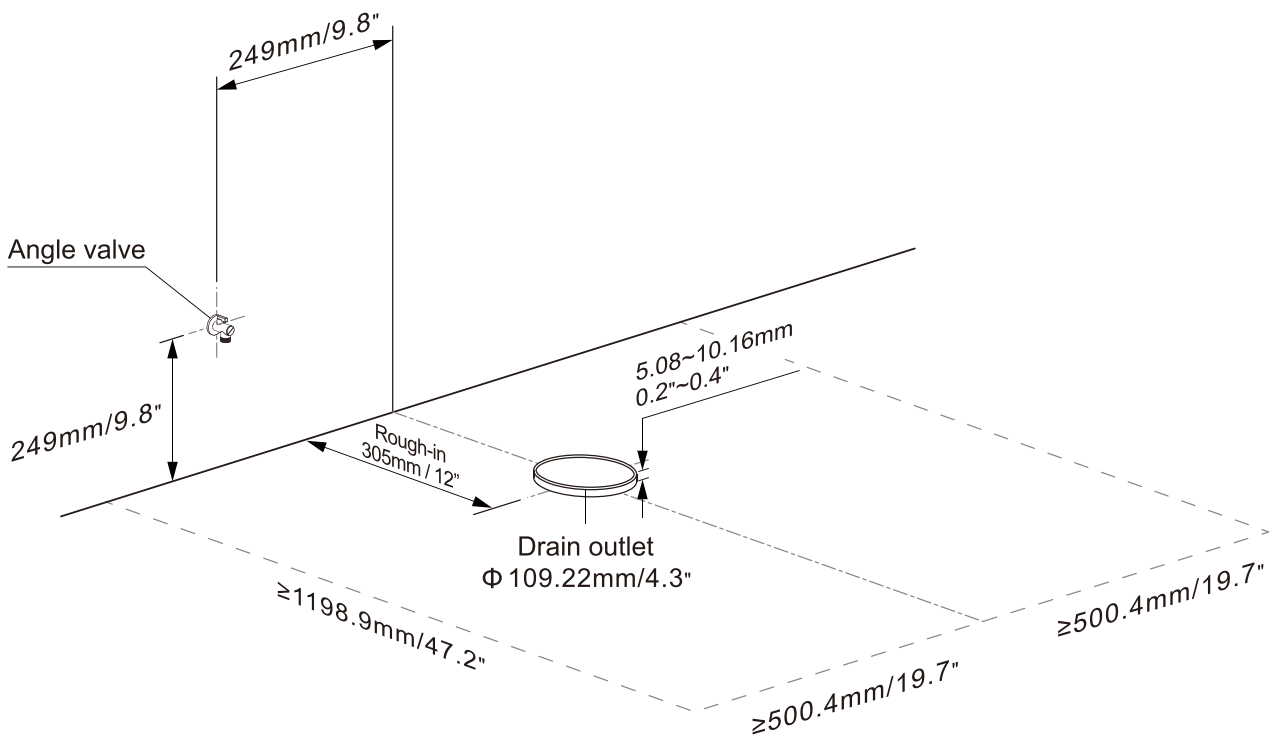
TOOLS NEEDED (PROVIDED BY CUSTOMER)



INSTALLATION

■ INSTALL PREPARATIONS

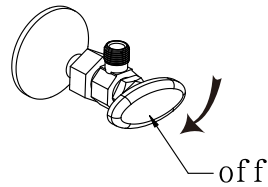
1. Ensure the floor tiles / finish is installed, and the waste drain, water supply and GFCI power outlet are in place.
2. Reserve the installation position according to the dimensions in the figure below (symbols * refer to the recommended dimensions) to ensure normal use of the water supply pipe.
3. Ensure the distance between the sewer drain's center and the wall, i.e. the rough-in dimension, is equal to 12" (305 mm).
4. Turn on the water supply switch to drain water to flush away the mud and other foreign matters in the reserved water pipes to avoid blockage of the water pipes.



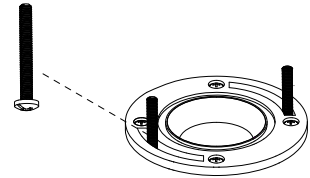
INSTALLATION

■ PRODUCT INSTALLATION METHODS

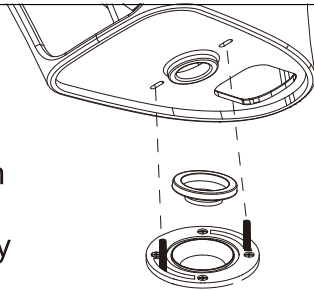
1. Install 3/8" compression water supply valve (not included) ensuring it's in the closed position.



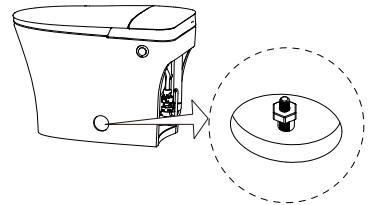
2. Insert bolts (not included) into drain flange.



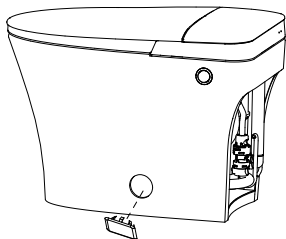
3. Lay neoprene or silicon rubber seal (not included) on flange and align the unit with the flange bolts. Gently lower the unit into place.



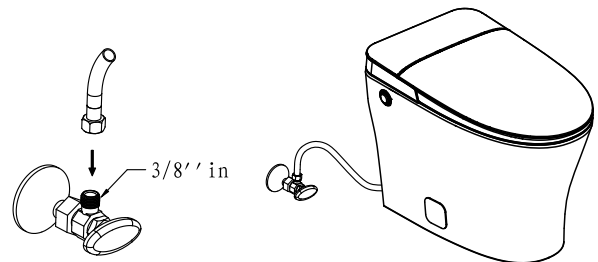
4. Adjust the position of the unit to align properly with the back wall then reach into the side access windows to install nuts onto the flange bolts. **IMPORTANT:** Tighten each nut hand tight and then use a wrench / ratchet to alternately tighten each nut 1/2 turn twice only (1 turn total each). **DO NOT OVERTIGHTEN.**



5. After the ceramic installation is fixed, put the cover on the side of the ceramic.



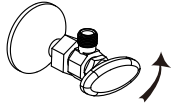
6. Connect main supply line to the wall supply valve.



TEST

1

1



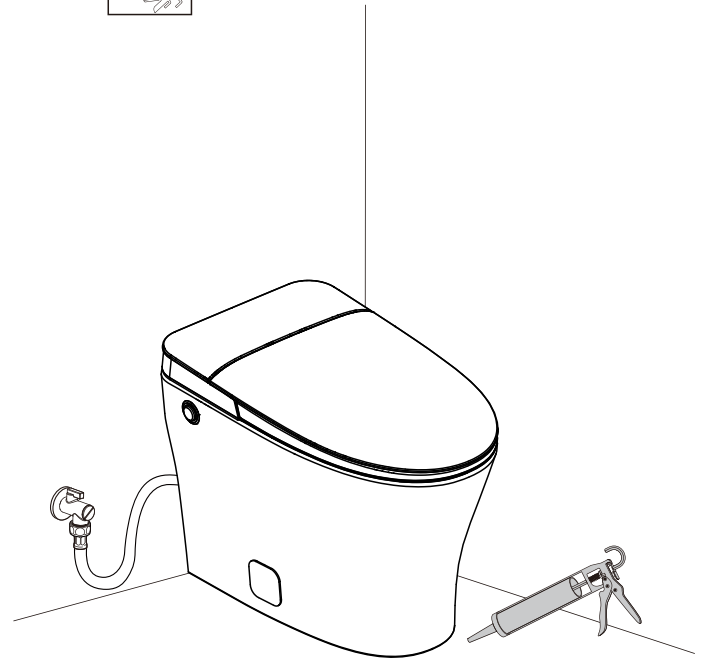
Ensure the surrounding area is completely dry, then turn supply valve to the full open position.

2



After turning on the water supply, check for leaks and test the flush and bidet functions. If any issues arise, please see the trouble shooting section on page 10.


2



After the test is completed, apply sealant.

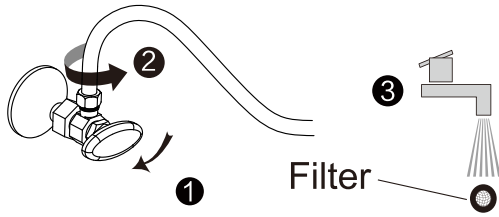
OPERATION INSTRUCTION

■ SIDE KNOB OPERATION INSTRUCTION:

Function	Symbol	Operation
Flush		Press the button to flush

CLEAN & MAINTENANCE

FILTER CLEANING



The mesh filter contained in the supply line nut will need to be cleaned on occasion. When reduced flushing or bidet performance is noticed, remove the mesh filter by turning off the water supply valve and unscrewing the nut. Rinse the filter under running water. You may use a small soft-bristled brush if necessary.

SURFACE CLEANING

Toilet seat: Use a non-abrasive sponge or soft cloth soaked in room temperature water containing a mild detergent to wipe down the surface. Liquid dish soap will suffice.

Ceramic bowl: Lift the seat and cover. Use any commercially available cleaner for the ceramic bowl. Be cautious not to splash or spray any cleaner on the plastic seat as damage / discoloration may result. Thoroughly rinse cleaner off of the ceramic bowl before lowering the seat and cover.

WINTERIZATION

When in use, make sure the indoor temperature is not below 4°C (39.2°F). When the indoor temperature is below 4°C (39.2°F), stop using the product and operate as below.

- Turn off the angle valve to stop the water supply. After that, drain the water in the tank to flush the product once.

! If the product is kept in freezing temperatures before drainage, the product may be damaged and leak.

TROUBLESHOOTING

Issue	Probable Cause	Solution
Water Leakage	Loose Supply Hose	Ensure supply hose is tight and all supplied washers were used.
	Incorrectly Seated Drain Seal	Remove and reinstall unit ensuring seal is in the proper position.
Poor Flush / Poor Bidet Function	Insufficient Water Supply	Ensure supply valve is turned on fully.
		Clean mesh filter in supply side of the main supply line
		House main water pressure must be above 15PSI
		Intervals between flushes needs to be a minimum of 60 seconds.

TECHNICAL SPECIFICATION

Item	Description
Flushing capacity	3.8Lpf(1.0gpf)
Applicable water supply pressure (static pressure)	0.1MPa ~ 0.86MPa (15PSI ~ 125PSI)
Water supply temperature	4°C ~ 35°C (39.2°F ~ 95°F)
Ambient temperature	4°C ~ 40°C (39.2°F ~ 104°F)
Dimensions	27x 15.9x 19.4in (length x width x height)

ICERA

Installation assistance and service: service@icerausa.com
Website: icerabath.com