



L-2432 MEDIUM
L-2442 GRANDE

Available finishes:



White .01

PRODUCT DETAILS

- Undermount lavatory
- Crafted of vitreous china
- Antimicrobial MicroGlaze finish
- Three-hole front overflow
- cUPC/UPC certified (IAPMO)

BASIN DIMENSIONS

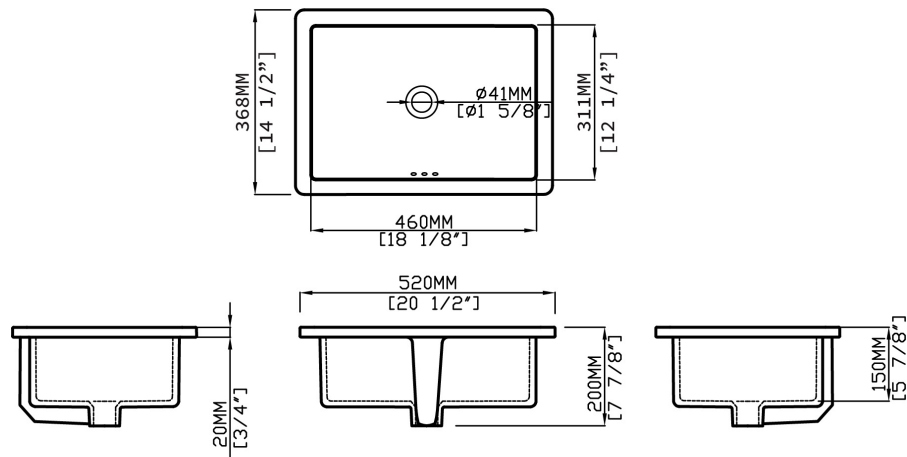
- L-2432 Medium: (W) 18-1/8" x (D) 12-1/4"
- L-2442 Grande: (W) 20-1/4" x (D) 13-1/8"



See reverse page for detailed specifications

Drain parts and overflow ring are not included

L-2432 MEDIUM SPECIFICATIONS



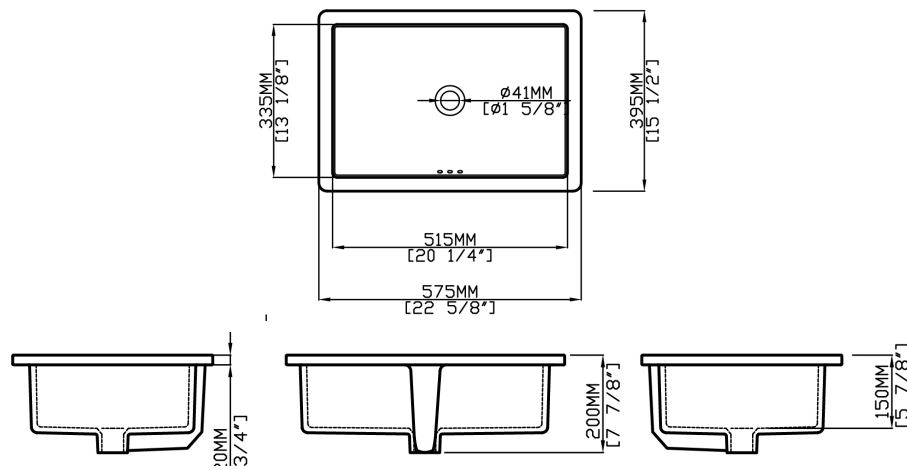
Available colors:

- L-2432.01 White

Codes/Standards:

- Meets and exceeds ASMEA112.9.2/CSA B-45.1
- Certifications: IAPMO (cUPC), States of Mass., and others

L-2442 GRANDE SPECIFICATIONS



Available colors:

- L-2442.01 White

Codes/Standards:

- Meets and exceeds ASMEA112.9.2/CSA B-45.1
- Certifications: IAPMO (cUPC), States of Mass., and others

IMPORTANT: Dimensions are nominal and may vary within the range of tolerance per NSI Standard A112.19.2. These measurements are subject to change. No responsibility is assumed for use of superseded or voided pages. Due to such nominal variations with all ceramic products, vanity countertops to be used with ceramic sinks should only be cut with the actual sink intended for installation, to physically ensure that cut-out dimensions are appropriate. The diagram and dimensions provided are for illustration only, are approximate and not to scale, and are not suitable for use as a cut-out template. No responsibility is assumed for the use or mis-use of these pages for installation purposes.