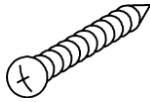


INSTALLATION INSTRUCTIONS FOR CONSOLE METAL BASE STAND

Parts List (included)



Name: Phillips countersunk head  
self-tapping screws

Specification : M3×38mm

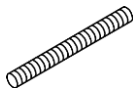
---



Name: Plastic expansion pipe (Plastic Anchor)

Specification : M6×25mm

---



Name : Screw

Specification : M10×80mm

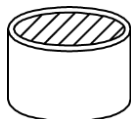
---



Name : Allen wrench

Specification :

---

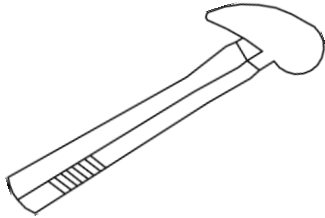


Name : Rubber cushion

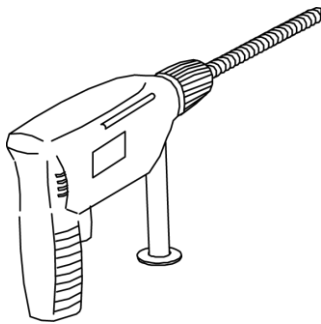
Specification : 37mm × 8mm

## Tool List

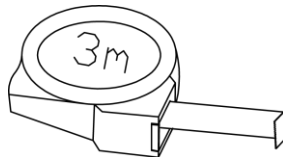
These tools are needed to install the metal base stand



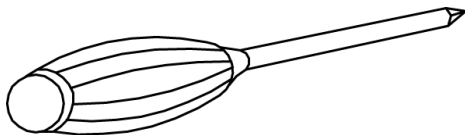
- Hammer



- Drill



- Tape Measure

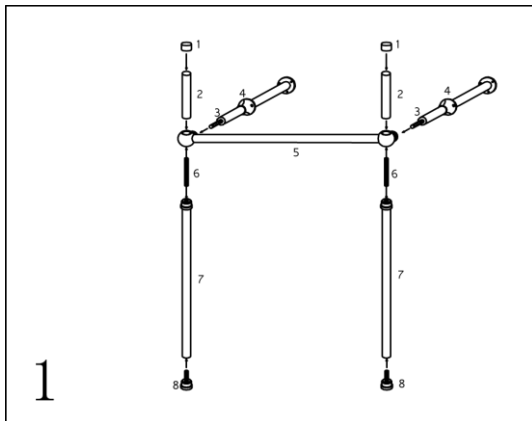


- Phillips screwdriver

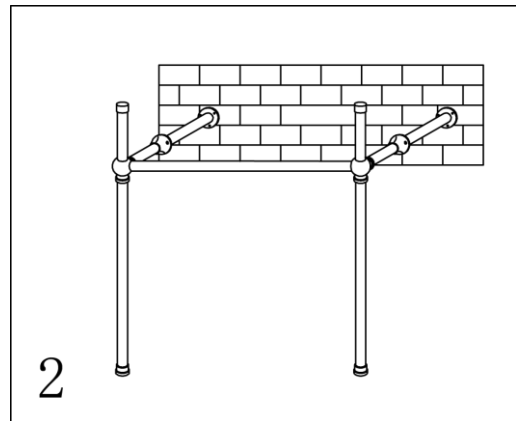


- Pencil

### Installation Steps for console metal base stand

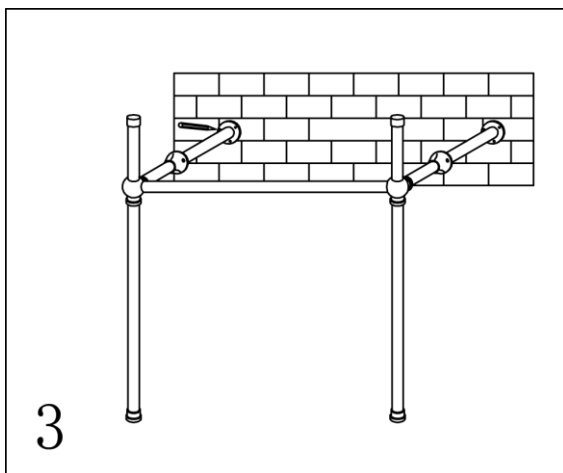


1. Place metal base stand assembled in accordance with the drawings shown. Ensure that you have all parts necessary. Then assemble each part per diagram Do not lock wall support bar SHCS decorative cover.

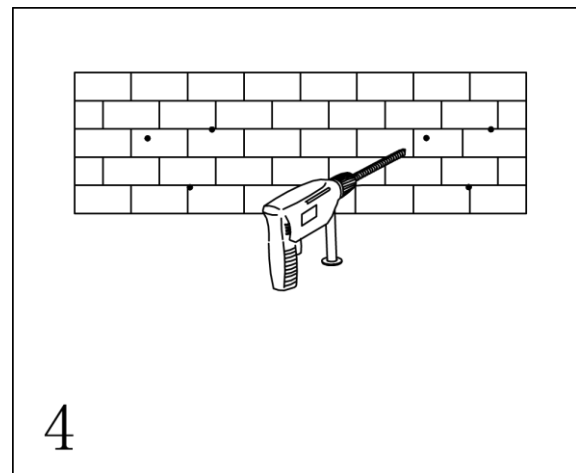


2. The assembled ready to install metal base stand is placed in the wall( Please give specific installation location for the drainage hole position to insure your plumbing is in the correct place.)

The vertical support bar should be even to the wall while ensuring that the two legs of the rack is placed on a smooth surface.

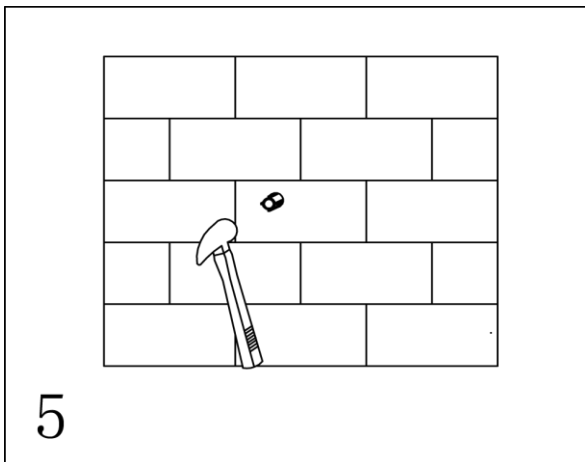


Step 3. Please metal base stand assembled in accordance with the drawings shown , Take the pencil and mark the designated where you will drill the holes for the metal base stand. Once you have you marked the specific area. Remove the stand and set it aside for now.



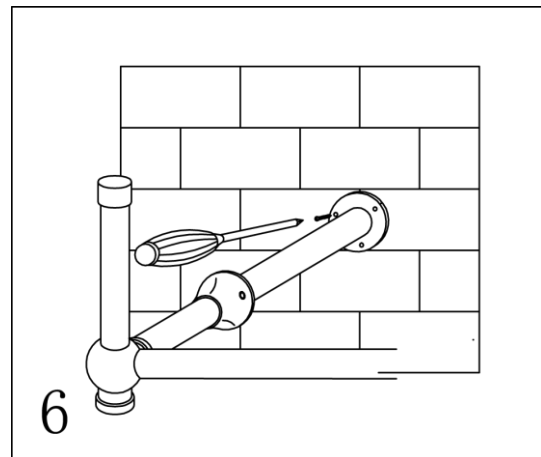
Step 4. Take the drill and drill a 6x25mm hole (the size of the plastic anchor). Measure the length of the expansion pipe , For professional workers ( Or do it yourself ) Use the impact drill (drill specifications M6) Good point taken in the third step drill , The depth of the hole is determined based on the measurement results After taping the plastic expansion pipe (anchor) , Neither prominent expansion pipe wall , Nor sunken into the wall is appropriate

Installation Steps for console metal base stand



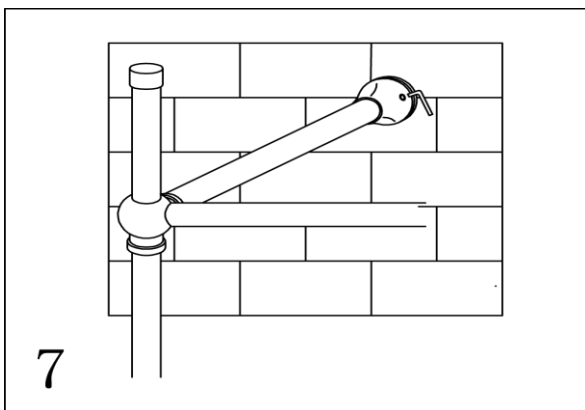
5

5. Using the hammer tap the plastic anchor into the drilled hole. Do not hammer too hard as that can damage the anchor.



6

6. You need to clean up the ground, the frame is then placed into the wall iron ,Then install the screw holes on the wall strut alignment holes on the wall , With self-tapping screws to tighten the iron frame on the wall ( Screws dipped in soapy water will be easier to screw in)

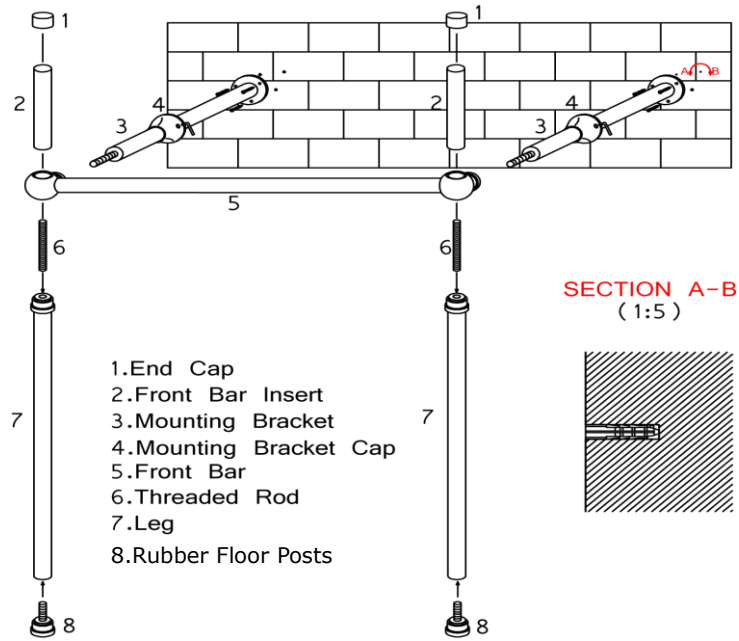


7

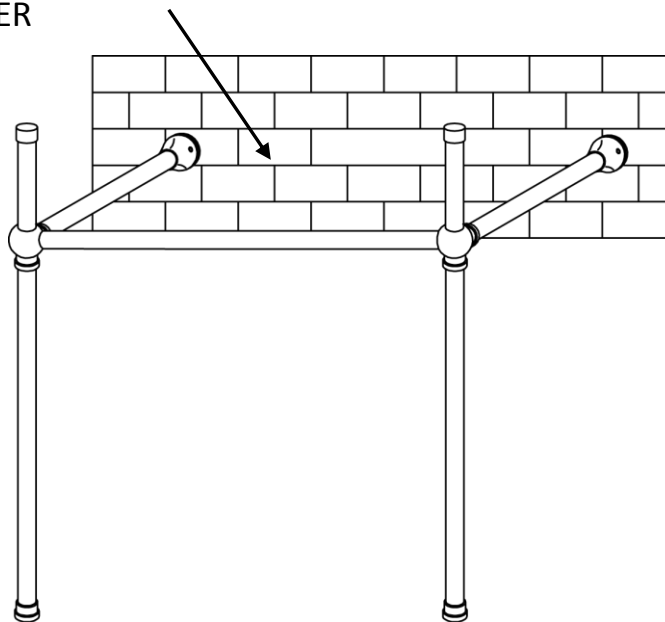
7. Push the decorative bar on the support bar inwards ensuring it secures tightly.

Before and After Setup

BEFORE



AFTER



## LIMITED LIFETIME WARRANTY

Icera provides a LIMITED LIFETIME WARRANTY for its Icera branded vitreous china and fire clay plumbing fixtures to be free of defects in material and workmanship. This warranty is extended only to the original purchaser and installer of the product. This warranty is non-transferable.

Icera will, at its election, repair, replace or make appropriate adjustments where Icera's inspection discloses any such defects occurring in normal usage within the warranty period after purchase. Comparable products will be offered as replacements for products no longer available.

**Icera is not responsible for removal or installation costs. Use of in-tank toilet cleaners will void the warranty.** This warranty is extended only to the original purchaser and installer of the product. This warranty is non-transferable.

**Authorized Resellers**

Warranties are not applicable to products sold by unauthorized resellers. The consumer accepts responsibility to research the integrity and reputation of the reseller to ensure they are authorized to sell and provide appropriate pre purchase and post purchase service. Internet resellers should be particularly scrutinized as they are very difficult to evaluate and often provide very limited or no customer service.

This warranty applies to unmodified products when properly installed and maintained per factory instructions for their normal and intended non-commercial application. Excluded are all industrial, commercial and business usage, whose purchasers are hereby granted a two-year limited warranty. Icera is not responsible for removal of defective product or installation costs of replacement pieces.

Excluded from coverage through this warranty are items used as plumbing fixture trim, various fittings, toilet bowl seats, and tank flushing mechanisms. Changes in finish floss, scratching, staining, and other effects from chemical use, water, and atmospheric conditions are not considered manufacturing defects but are considered normal wear and tear. Variations in color will occur naturally due to manufacturing processes and are not covered under this warranty.

Icera reserves the right to make changes in product design, manufacturing process, packaging, or availability at any time without notice.

To obtain warranty service, contact Icera either through your dealer, plumbing contractor, by writing Icera, Attn: Customer Service Department, PO Box 27777, Santa Ana, CA 92799 USA or online at [support@icerausa.com](mailto:support@icerausa.com). Proof of purchase is required in processing all warranty claim requests.

IMPLIED WARRANTIES INCLUDING THAT OF MERCHANTABILITY AND FITNESS FOR A PARTICULAR PURPOSE ARE EXPRESSLY LIMITED IN DURATION TO THE DURATION OF THIS WARRANTY. ICERA AND/OR SELLER DISCLAIMS ANY LIABILITY FOR SPECIAL, INCIDENTAL OR CONSEQUENTIAL DAMAGES.

Some states/provinces do not allow limitations on how long an implied warranty lasts, or the exclusion or limitation of special, incidental or consequential damages, so these limitations and exclusions may not apply to you. This warranty gives you specific legal rights. You may also have other rights which may vary from state/province to state/province.

This is Icera's exclusive written warranty. This exclusive written warranty is issued in lieu of all other warranties, expressed or implied, including but not limited to the implied warranties of merchantability and fitness for a particular purpose.

Icera USA

P. O. BOX #27777

Santa Ana, CA 92799

Toll Free: (855) 444-2372

[service@icerausa.com](mailto:service@icerausa.com)

[www.icerausa.com](http://www.icerausa.com)